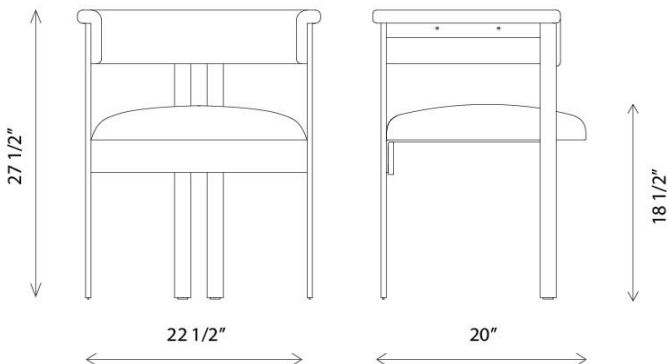




## ELLIOT DINING CHAIR

FCD14001



Materials Shown

**Oil Rubbed Brass With Tosa Carbon**

Dimensions

**Width: 22.5"**

**Depth: 20"**

**Height: 27.5"**

Finishes



Available In

**Please contact  
concierge@kellywearstler.com for  
inquiries regarding custom materials  
and finishes**